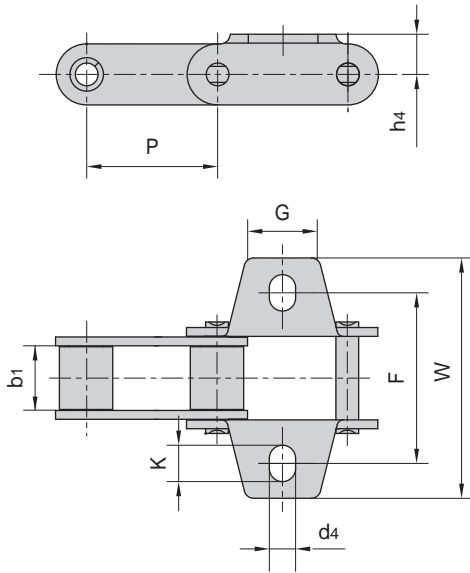




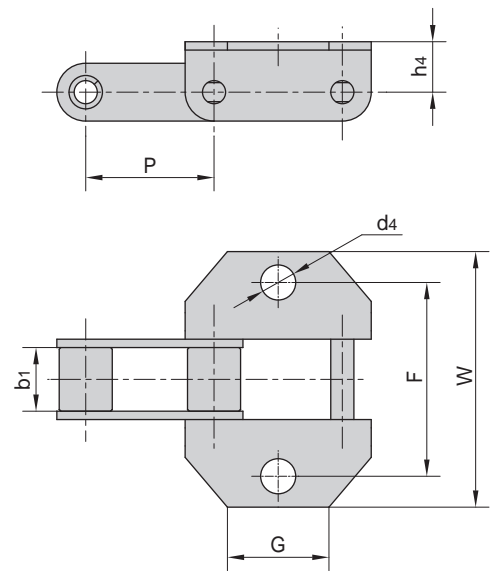
# C型钢制农机链附件

## C type steel agricultural chain attachments



链号 Chain No.	P	b1	G	F	W	h4	d4	K
	mm	mm	mm	mm	mm	mm	mm	mm
CA550K1	41.4	19.81	22.00	52.5	76.2	12.7	8.3	10.0
CA550K1F3	41.4	19.81	22.00	54.0	76.2	12.7	8.3	11.5
CA550F4K19F1	41.4	20.24	22.23	52.5	76.2	12.7	8.3	10.0
CA550K1F9	41.4	19.81	22.00	50.8	76.2	12.7	8.3	11.7
CA555K1	41.4	12.70	22.00	52.5	76.2	12.7	8.3	10.0

链号 Chain No.	P	b1	G	F	W	h4	d4
	mm	mm	mm	mm	mm	mm	mm
38.4RK1	38.4	19.05	29.1	58.0	76.5	15.1	10.5
38.4VK1F1	38.4	18.00	29.1	57.0	75.0	15.1	8.5
38.4VBK1	38.4	19.05	29.0	58.0	87.0	14.0	10.5
38.4VBF3	38.4	19.05	40.0	57.0	86.0	16.0	10.3
38.4VK1F2	38.4	18.00	29.1	57.0	75.0	15.1	10.5
38.4VK1F3	38.4	18.00	29.1	57.0	75.0	15.1	9.0
CA550HK1	41.4	20.00	22.6	54.0	71.5	12.7	8.5
CA550VK18	41.4	19.05	22.6	54.0	71.6	12.7	8.5
CA550K18	41.4	19.81	22.6	54.0	71.6	12.7	8.5
38.4RK1F6	38.4	19.05	40.0	57.0	84.0	16.5	10.3
38.4VK1F10	38.4	18.00	39.0	58.4	82.4	14.5	10.5
38.4VBK1F3	38.4	19.05	39.0	57.0	80.0	16.0	10.5
38.4VK1F11	38.4	18.00	35.0	57.0	76.1	16.0	9.0
38.4RF7K1	38.4	19.05	30.0	59.7	78.5	11.4	8.3
CA550HF7K1	41.4	20.00	22.6	56.7	74.3	13.2	8.5

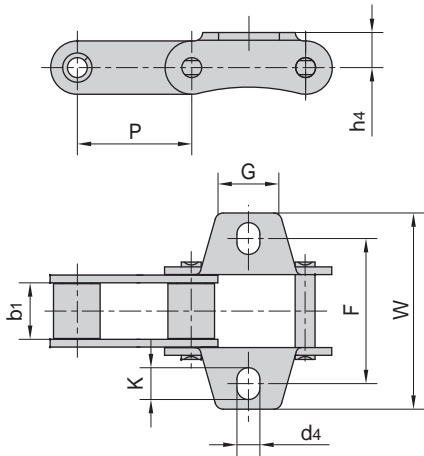
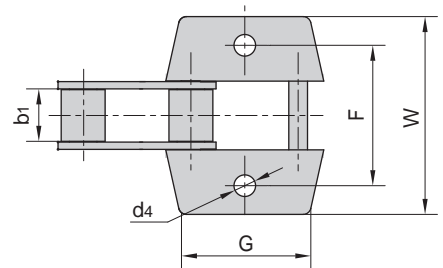
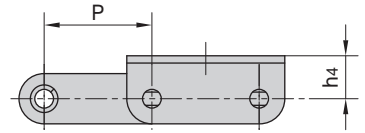




# C型钢制农机链附件

## C type steel agricultural chain attachments

链号 Chain No.	P mm	b <sub>1</sub> mm	G mm	F mm	W mm	h <sub>4</sub> mm	d <sub>4</sub> mm
CA550K1F4	41.40	19.81	48.5	54.0	76.20	16.5	8.5
CA550VK1F3	41.40	19.05	56.0	54.0	75.54	16.5	8.5
CA550K1F6	41.40	19.81	48.5	54.0	76.20	16.5	10.5
CA550K18	41.40	19.81	22.6	54.0	71.60	12.7	8.5
CA620A1F1	42.01	24.51	63.5	67.7	91.70	16.1	10.5
38.4VK1F8	38.40	18.00	40.0	57.0	86.00	16.0	10.5
38.4VBF5	38.40	19.05	40.0	57.0	86.00	14.0	10.5
38.4VBF6	38.40	19.05	20.0	57.0	75.00	16.0	8.6
38.4VBF7	38.40	19.05	40.0	58.5	86.60	14.0	10.5
CA620WK1F1	42.01	24.51	62.2	69.0	90.80	16.2	10.3

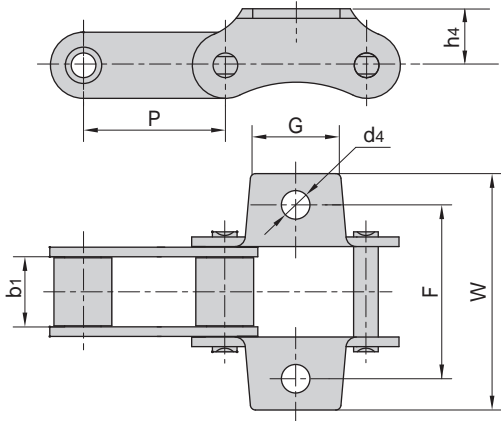


链号 Chain No.	P mm	b <sub>1</sub> mm	G mm	F mm	W mm	h <sub>4</sub> mm	d <sub>4</sub> mm	K mm
CA550K19	41.4	19.81	22.0	50.8	71.0	12.7	8.3	11.0
CA550K19F1	41.4	19.81	22.0	54.0	71.0	12.7	8.3	11.0
CA550K19F2	41.4	19.81	25.4	50.8	71.0	12.7	8.4	11.5



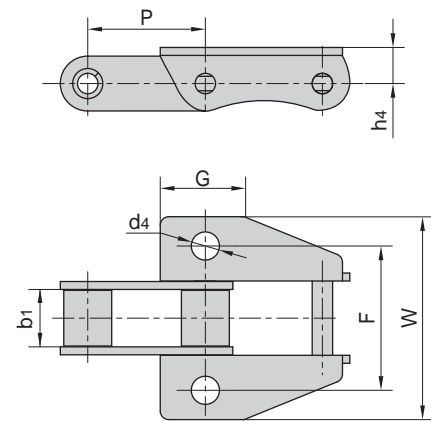
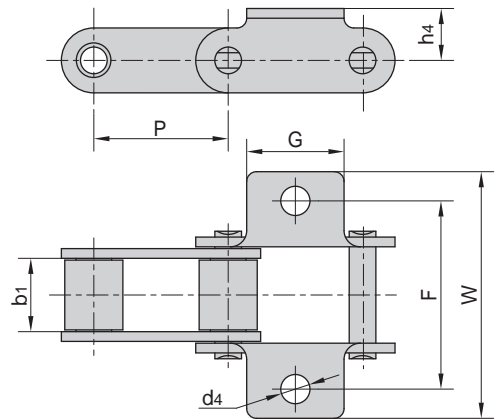
# C型钢制农机链附件

## C type steel agricultural chain attachments



链号 Chain No.	P	b1	G	F	W	h4	d4
	mm	mm	mm	mm	mm	mm	mm
CA550F1	41.4	19.81	22.23	53.95	70.6	12.7	9.90
CA550K19F3	41.4	19.81	25.50	50.80	68.4	16.5	8.33
CA550VK19F1	41.4	19.05	25.50	50.80	67.8	16.5	8.33
CA557AK4	41.4	20.24	26.19	50.80	69.4	16.5	8.33
CA550F20K19	41.4	20.24	22.00	50.80	71.0	12.7	9.75
CA557AK4F1	41.4	20.24	26.00	53.50	80.6	16.5	10.70

链号 Chain No.	P	b1	G	F	W	h4	d4
	mm	mm	mm	mm	mm	mm	mm
55VDK1	41.40	23.00	30.0	50.8	76.0	16.0	9.0
CA550A1F5	41.40	19.81	38.1	74.6	105.6	12.7	10.3
CA557A1F1	41.40	20.24	38.1	74.6	105.6	12.7	10.3
S77F1K1	58.34	22.23	40.0	77.0	128.0	20.0	10.5
S77F2K1	58.34	22.23	40.0	77.0	132.0	25.0	10.5
CA557K1F5	41.40	20.24	27.0	50.0	75.0	17.7	8.5



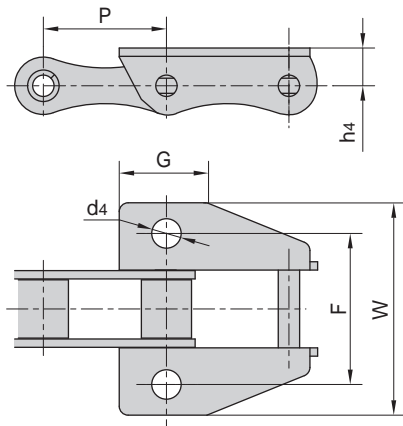
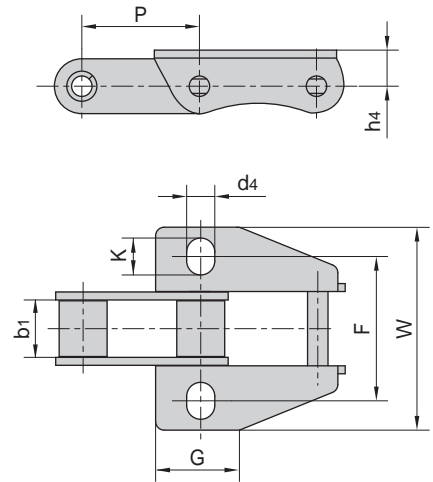
链号 Chain No.	P	b1	G	F	W	h4	d4
	mm	mm	mm	mm	mm	mm	mm
CA550K39M	41.4	19.81	29.5	50.80	71.4	12.7	9.8
CA550K39MF3	41.4	19.81	29.5	50.80	71.4	12.7	10.3
CA550HK39M	41.4	20.00	31.0	57.00	78.0	14.2	10.5
CA557K39M	41.4	20.24	29.5	50.80	71.4	12.7	9.8
CA557K39MF1	41.4	20.24	22.0	57.15	77.6	14.0	9.9
CA557K39MF3	41.4	20.24	31.0	57.00	78.0	14.5	10.3
CA550F5K39M	41.4	20.24	29.5	50.80	71.4	12.7	10.3



# C型钢制农机链附件

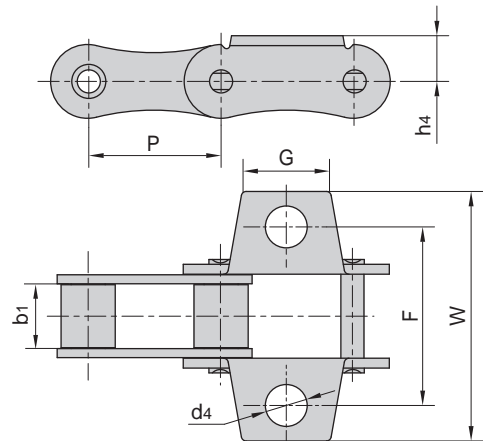
## C type steel agricultural chain attachments

链号 Chain No.	P	b <sub>1</sub>	G	F	W	h <sub>4</sub>	d <sub>4</sub>	K
	mm	mm	mm	mm	mm	mm	mm	mm
CA550K39MF2	41.4	19.81	29.5	50.80	71.4	12.7	9.9	13.0
CA557K39MF2	41.4	20.24	29.5	50.80	71.4	12.7	9.9	13.0
CA557K39MF6	41.4	20.24	29.5	53.98	74.5	12.7	9.9	13.0
A557F1K39MF3	41.4	20.24	31.0	54.00	78.0	12.7	10.5	12.5



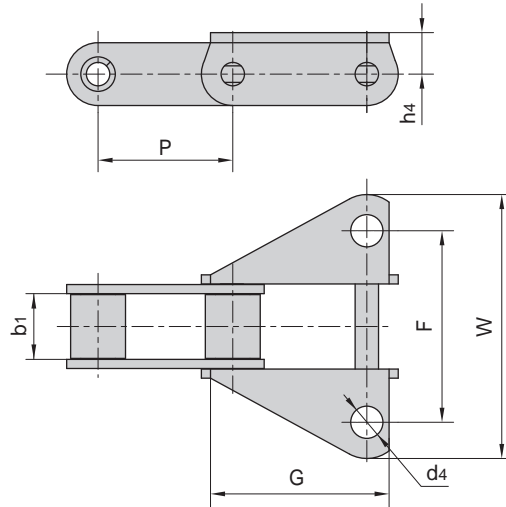
链号 Chain No.	P	b <sub>1</sub>	G	F	W	h <sub>4</sub>	d <sub>4</sub>
	mm	mm	mm	mm	mm	mm	mm
A557K39M	41.4	20.24	29.5	56.70	77.8	13.5	10.10
A557K39MF2	41.4	20.24	29.5	56.70	77.8	13.5	10.50
A557K39MF1	41.4	20.24	31.0	57.15	78.0	14.2	10.50
A557K35M	41.4	20.24	30.0	50.80	73.5	14.1	10.31
A557K39MF4	41.4	20.24	29.5	56.70	77.8	13.5	10.30
A557K39MF7	41.4	20.24	29.5	63.00	88.0	13.5	11.00
A557F1K39M	41.4	20.24	31.0	57.00	78.0	14.2	10.50
A557K39MF3	41.4	20.24	31.0	50.80	71.4	14.3	8.30
A557F16K39M	41.4	20.24	28.0	63.50	88.9	14.2	10.50
A557K39MF9	41.4	20.24	31.0	57.20	77.7	13.8	10.30
A557K39MF10	41.4	20.24	31.0	57.20	77.7	14.3	9.90

链号 Chain No.	P	b <sub>1</sub>	G	F	W	h <sub>4</sub>	d <sub>4</sub>
	mm	mm	mm	mm	mm	mm	mm
A557K27S	41.4	20.24	28.6	57.15	79.35	14.3	13.1
A557F2K1	41.4	20.24	28.6	57.20	79.10	14.3	13.1

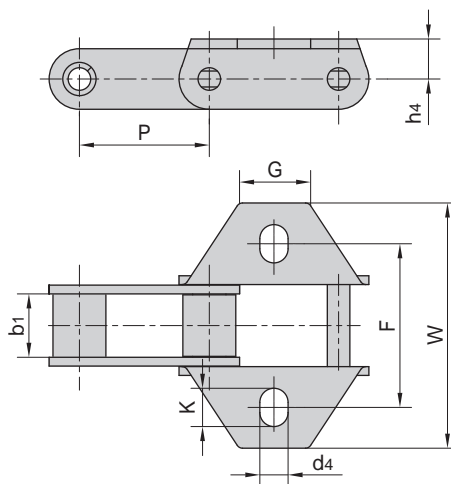


## C型钢制农机链附件

### C type steel agricultural chain attachments



链号 Chain No.	P	b1	G	F	W	h4	d4
	mm	mm	mm	mm	mm	mm	mm
CA557F1	41.4	20.24	60.0	53.94	76.2	14.6	9.9
38.4VBK39M	38.4	19.05	20.0	58.00	86.4	14.0	10.5
38.4VBF8	38.4	19.05	20.0	58.00	87.4	14.0	10.5

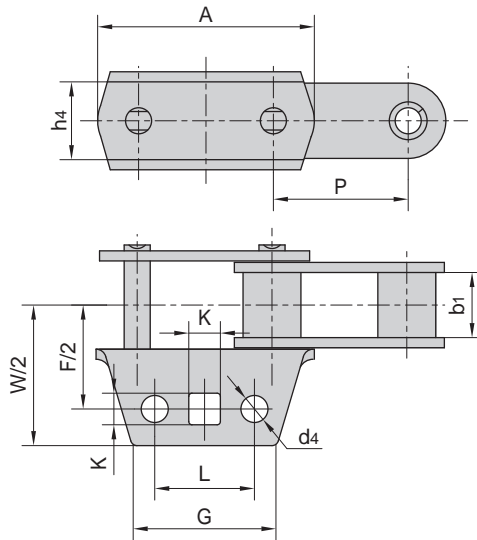


链号 Chain No.	P	b1	G	F	W	h4	d4	K
	mm	mm	mm	mm	mm	mm	mm	mm
CA557F2	41.4	20.24	22.23	53.98	79.3	14.3	9.9	13.6

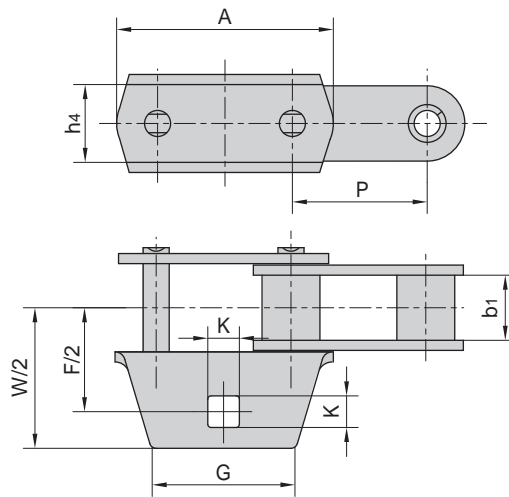


## C型钢制农机链附件

### C type steel agricultural chain attachments



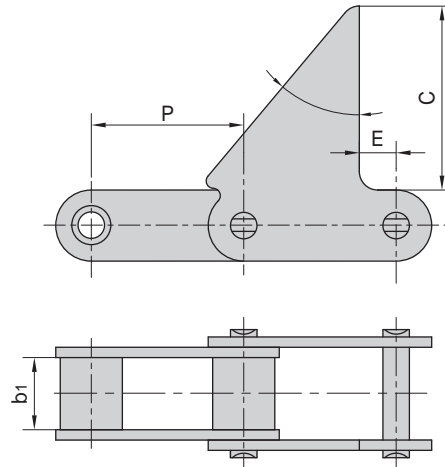
链号 Chain No.	P	b <sub>1</sub>	A	L	G	F	W	h <sub>4</sub>	d <sub>4</sub>	K
	mm	mm	mm	mm	mm	mm	mm	mm	mm	mm
CA557F3	41.4	20.24	66.55	30.22	44.45	64.14	86.6	23.9	8.25	9.7



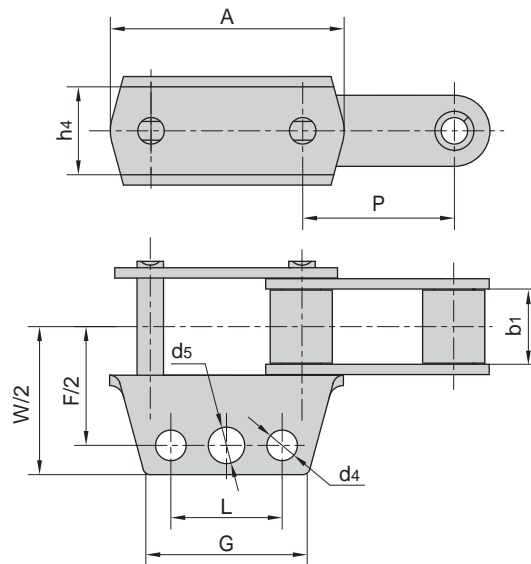
链号 Chain No.	P	b <sub>1</sub>	A	G	F	W	h <sub>4</sub>	K
	mm	mm	mm	mm	mm	mm	mm	mm
CA557F4	41.4	20.24	66.55	44.45	64.14	86.6	23.9	9.7

## C型钢制农机链附件

### C type steel agricultural chain attachments



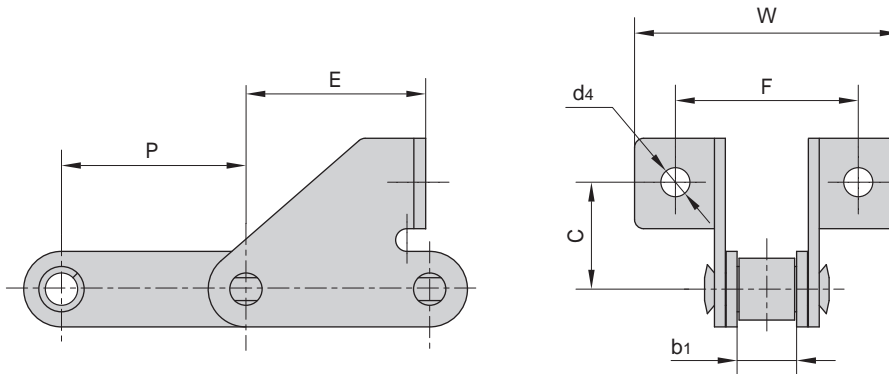
链号 Chain No.	P mm	b1 mm	C mm		E mm
CA550F6	41.4	19.81	50.0	40 °	10
CA550F9	41.4	19.81	40.7	40 °	10



东华链号 Donghua Chain No.	P mm	b1 mm	A mm	L mm	G mm	F mm	W mm	h4 mm	d4 mm	d5 mm
CA550F7	41.4	19.81	63.5	30.22	44.45	64.1	81.4	23.88	8.25	9.9

## C型钢制农机链附件

### C type steel agricultural chain attachments



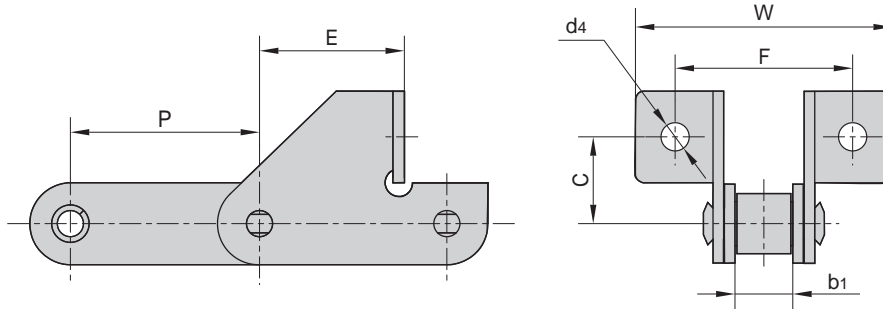
链号	P	b <sub>1</sub>	E	F	W	C	d <sub>4</sub>
Chain No.	mm	mm	mm	mm	mm	mm	mm
38.4RSD	38.4	19.05	38.4	52.0	71.0	24.5	8.4
38.4RSDF1	38.4	19.05	38.4	52.0	70.0	24.5	8.4
38.4RSDF2	38.4	19.05	38.4	52.0	71.0	24.5	9.0
38.4VSD	38.4	18.00	38.4	52.0	71.0	24.0	8.4
38.4VBSD	38.4	19.05	38.4	52.0	71.0	25.0	8.4
38.4VBSDF1	38.4	19.05	38.4	52.0	73.0	24.0	8.3
38.4VBSDF2	38.4	19.05	38.4	52.0	73.0	24.0	8.4
38.4VBSDF3	38.4	15.88	38.4	52.0	70.1	24.5	8.5
38.4RSDF4	38.4	19.05	37.4	52.0	71.0	24.0	8.4
38.4RSDF5	38.4	19.05	35.9	60.0	79.0	24.0	6.4
38.4RSDF6	38.4	19.05	38.4	62.0	81.0	24.5	8.5
38.4RSDF7	38.4	19.05	38.4	60.0	81.0	24.5	8.4
38.4RSDF8	38.4	19.05	38.4	60.0	81.0	24.5	6.4
38.4VBSDF5	38.4	19.05	37.4	52.0	73.0	24.0	8.7
CA550SD	41.1	19.81	36.9	47.6	68.2	31.0	8.7
CA550SDF4	41.4	19.81	36.9	47.6	89.0	31.0	8.7
CA550SDF10	41.4	19.81	37.7	47.6	68.2	31.0	8.5
CA550F5SDF1	41.4	20.24	36.9	47.6	68.2	31.0	8.7
38.4RSDF3	38.4	19.05	38.2	52.0	72.0	24.0	8.4
38.4RSDF10	38.4	19.05	38.4	52.0	71.0	24.5	8.4





## C型钢制农机链附件

C type steel agricultural chain attachments



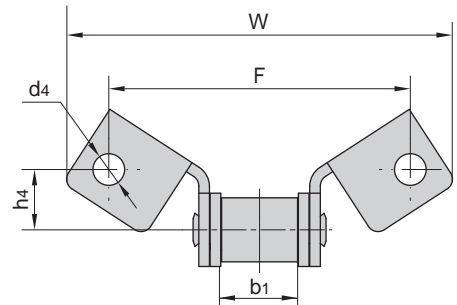
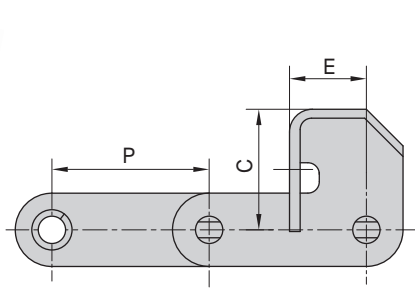
链号 Chain No.	P mm	b <sub>1</sub> mm	E mm	F mm	W mm	C mm	d <sub>4</sub> mm
CA550SDF1	41.4	19.81	35.0	58.0	85.0	20.5	8.5
CA550SDF2	41.4	19.81	32.5	62.0	84.0	20.0	8.6
CA550SDF3	41.4	19.81	35.0	58.0	85.0	20.5	6.5
CA550SDF6	41.4	19.81	33.0	58.0	85.0	20.5	6.5
CA550SDF7	41.4	19.81	32.5	62.0	89.0	20.0	8.6
CA550F5SD	41.1	20.24	33.0	57.8	83.5	20.0	6.7
CA550F8SD	41.4	19.81	33.0	58.0	85.9	20.5	6.5
CA550SDF5	41.4	19.81	34.0	63.0	89.0	20.0	8.0
CA550SDF11	41.4	19.81	31.0	58.0	85.0	20.5	8.5
CA550SDF12	41.4	19.81	31.0	58.0	85.0	20.5	6.5
CA550HSD	41.4	20.00	33.4	58.0	90.0	20.0	6.5
CA550VSD	41.4	19.05	35.0	58.0	88.6	20.5	6.5



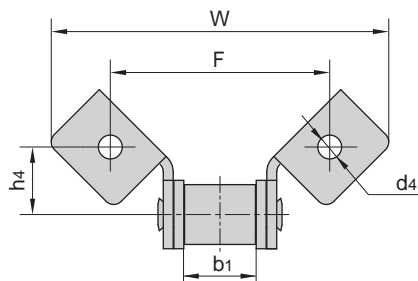
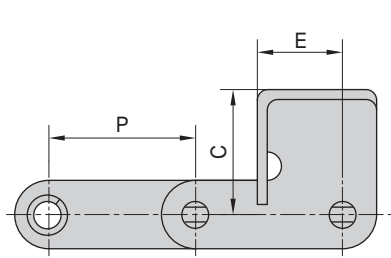


## C型钢制农机链附件

### C type steel agricultural chain attachments



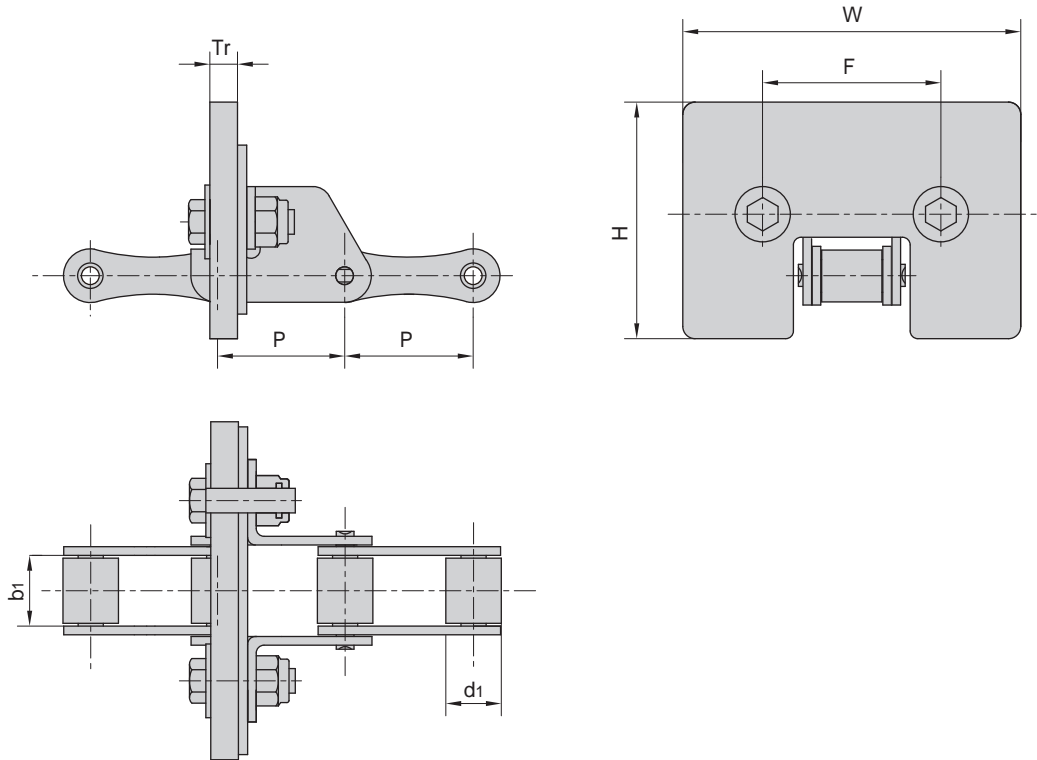
链号 Chain No.	P	b <sub>1</sub>	E	C	F	W	h <sub>4</sub>	d <sub>4</sub>
	mm	mm	mm	mm	mm	mm	mm	mm
CA550F14	41.4	19.81	20.24	31.75	79.40	101.60	15.90	8.33
CA550F16	41.4	20.00	22.30	39.00	78.00	109.20	17.70	8.00
CA550VF14	41.4	19.05	20.24	31.75	79.40	101.60	15.90	8.33
CA550F5-F14	41.4	20.24	20.24	31.75	79.40	101.60	15.90	8.33
CA550F5-F14SF	41.4	20.24	21.34	31.75	79.40	101.60	15.90	9.91
CA557F14	41.4	20.24	19.60	34.00	79.40	109.80	15.88	8.60
CA557SFD	41.4	20.24	24.30	50.10	79.40	109.80	28.60	8.30
CA557SDF1	41.4	20.24	24.30	50.10	79.40	109.80	28.60	9.53
CA550F19	41.4	19.81	20.24	31.75	79.40	101.60	15.90	10.50
CA550VF2SE	41.4	19.05	24.50	59.60	79.40	135.40	28.50	8.70
CA550VF2SEF1	41.4	19.05	24.25	73.30	79.40	111.30	52.60	8.74
CA550VF2SEF3	41.4	19.05	20.20	50.00	79.40	121.80	28.58	8.74



链号 Chain No.	P	b <sub>1</sub>	E	C	F	W	h <sub>4</sub>	d <sub>4</sub>
	mm	mm	mm	mm	mm	mm	mm	mm
CA550F15	41.4	19.81	24.00	35.26	61.98	95.25	19.05	6.73
CA550F17	41.4	19.81	23.68	40.89	114.30	143.70	20.57	9.91
CA550VF13	41.4	19.05	25.40	59.60	79.35	135.45	28.60	8.74
CA550F18	41.4	19.81	24.00	35.26	61.98	95.25	19.05	8.33
CA550F5-F17	41.4	20.24	23.68	40.89	114.30	143.70	20.57	9.91
CA550F5-G18	41.4	20.24	24.13	20.32	63.50	84.00	8.38	8.38
CA550VF17	41.4	19.05	23.68	40.89	114.30	143.70	20.57	9.91

## C型钢制农机链附件

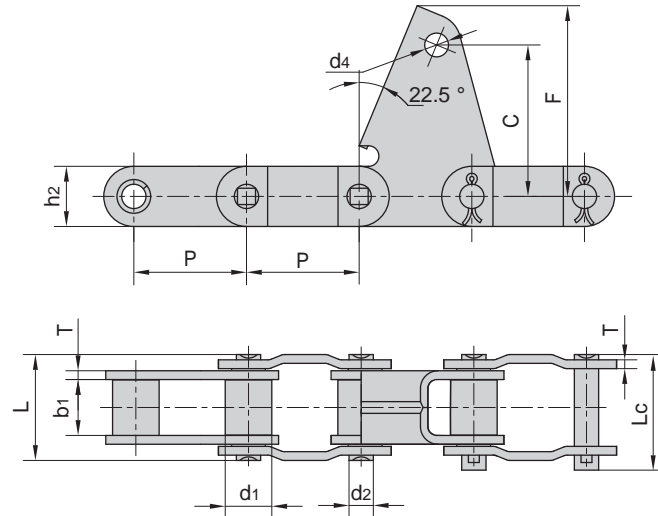
### C type steel agricultural chain attachments



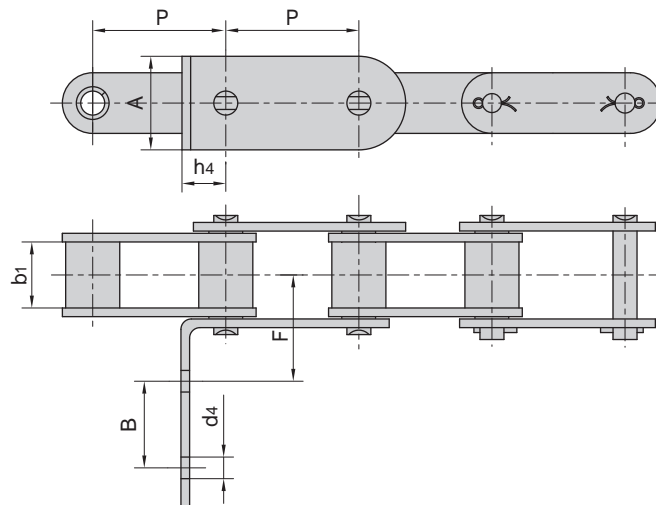
链号 Chain No.	节距 Pitch	滚子直径 Roller diameter	内节内宽 Width between inner plates	橡胶附板尺寸 Rubber attachment dimension			
	P	d1 max	b1 min	W max	H max	F	Tr
	mm	mm	mm	mm	mm	mm	mm
S45SDF1-G	41.4	15.24	22.23	150.0	100.0	62.0	9.0
S52LF1SD-G	38.1	15.24	16.40	152.0	80.0	54.5	9.0
S55F6-G	41.4	17.78	22.23	110.0	85.0	58.0	9.0
38.4RSD-G	38.4	15.88	19.05	154.0	78.0	52.0	9.0
38.4RSDF10-G	38.4	15.88	19.05	107.0	80.0	52.0	9.0
CA550SDF1-G	41.4	16.87	19.81	151.0	85.0	58.0	9.0
CA550F14-G	41.4	16.87	19.81	152.0	79.0	79.4	9.0
CA550VF2SEL-G	41.4	16.80	19.05	224.0	79.4	79.4	11.0
CA550HF6-G	41.4	16.74	20.00	197.0	96.0	58.0	9.0

## C型钢制农机链附件

### C type steel agricultural chain attachments



链号 Chain No.	节距 Pitch	滚子直径 Roller diameter	内节内宽 Width between inner plates	销轴直径 Pin diameter	销轴长度 Pin length		链板尺寸 Plate dimension					极限拉伸载荷 Ultimate tensile strength	每米长重 Weight per meter
	P	d1 max	b1 min	d2 max	L max	Lc max	h2 max	T max	C	F	d4	Q min	q
	mm	mm	mm	mm	mm	mm	mm	mm	mm	mm	mm	kN/lbf	kg/m
38.4VBF2	38.4	15.88	19.05	8.28	36.1	39.1	20.5	3.0	51.6	65	8.1	50/11247	2.33

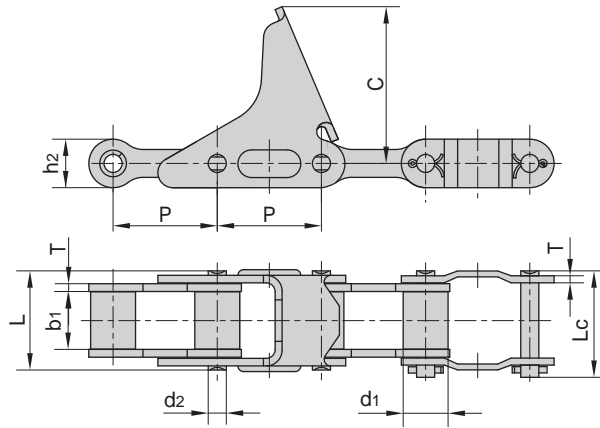


链号 Chain No.	P	b1	A	B	F	h4	d4
	mm	mm	mm	mm	mm	mm	mm
38.4RF2	38.4	19.05	27.0	25	31.3	12.7	6.8

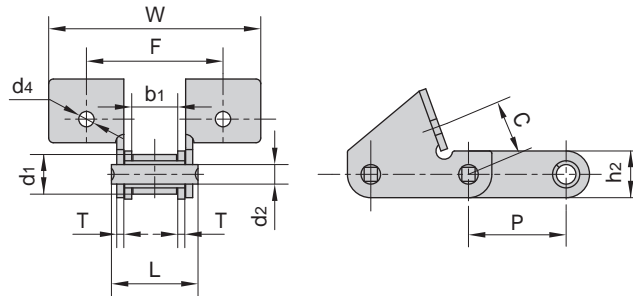


## C型钢制农机链附件

### C type steel agricultural chain attachments



链号	节距	滚子直径	内节内宽	销轴直径	销轴长度		附板尺寸			极限拉伸载荷	每米长重
Chain No.	Pitch	Roller diameter	Width between inner plates	Pin diameter	Pin length		Attachment dimension			Ultimate tensile strength	Weight per meter
	P	d1 max	b1 min	d2 max	L max	Lc max	h2 max	T max	C max	Q min	q
	mm	mm	mm	mm	mm	mm	mm	mm	mm	kN/lbf	kg/m
CA555F1	41.4	17.85	23.0	8.2	39.5	42.4	20.0	3.0	84.0	39.1/8795	2.99
CA555F2	41.4	17.85	23.0	8.2	39.5	42.4	20.0	3.0	62.5	39.1/8795	2.82

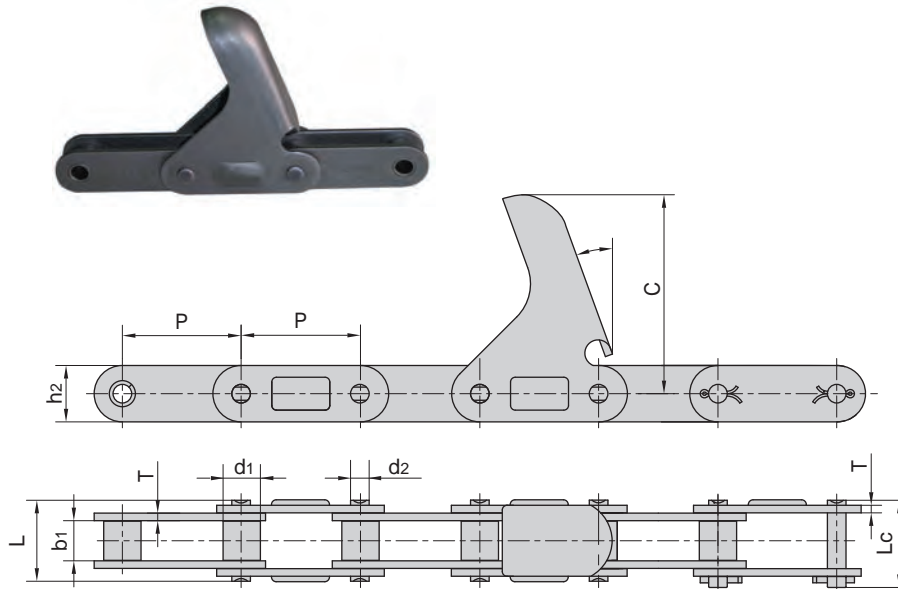


链号	P	C	F	W	d4
Chain No.	mm	mm	mm	mm	mm
CA550VF1	41.4	23.4	58	90.0	6.5
CA550F10	41.4	23.4	58	90.0	6.5
CA550HF4	41.4	23.4	58	90.0	6.5
CA550HF6	41.4	23.4	58	90.0	8.5

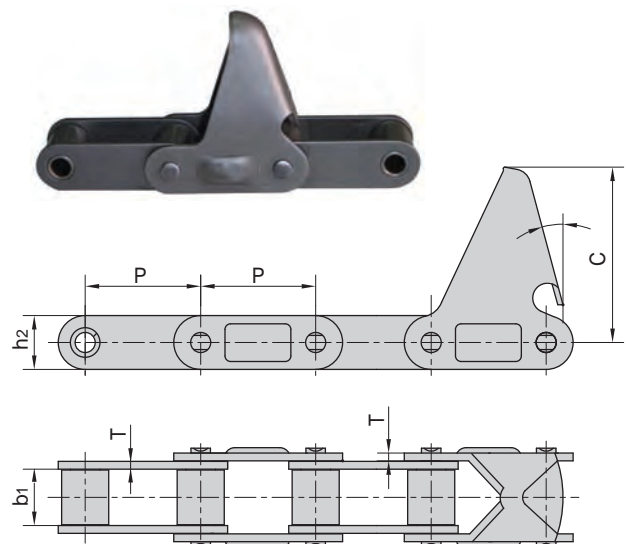
链号	节距	滚子直径	内节内宽	销轴直径	销轴长度	链板高度	链板厚度	极限拉伸载荷	每米长重
Chain No.	Pitch	Roller diameter	Width between inner plates	Pin diameter	Pin length	Plate depth	Plate thickness	Ultimate tensile strength	Weight per meter
	P	d1 max	b1 min	d2 max	L max	h2 max	T	Q min	q
	mm	mm	mm	mm	mm	mm	mm	kN/lbf	kg/m
CA550VF1	41.4	16.80	19.50	8.28	36.7	19.80	3.0	44/9898	2.50
CA550F10	41.4	16.70	19.81	7.14	36.2	19.05	3.0	53/11922	2.38
CA550HF4	41.4	16.74	20.00	7.14	36.0	19.10	3.0	57.78/12998	2.73
CA550HF6	41.4	16.74	20.00	7.14	36.0	19.10	3.0	57.78/12998	2.71

# C型钢制农机链附件

## C type steel agricultural chain attachments



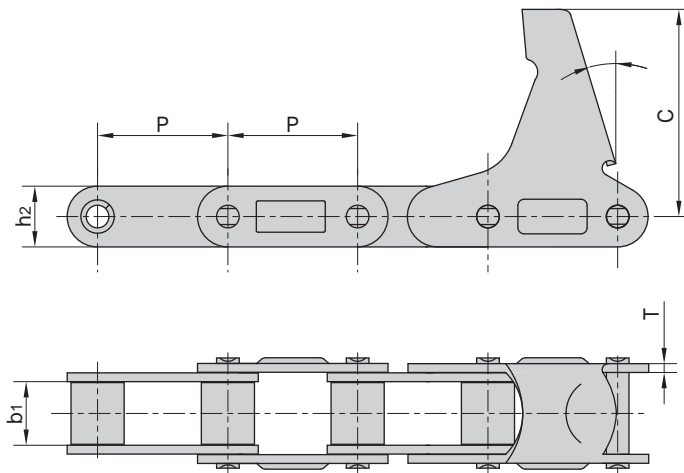
链号 Chain No.	节距 Pitch	滚子直径 Roller diameter	内节内宽 Width between inner plates	销轴直径 Pin diameter	销轴长度 Pin length		链板尺寸 Plate dimension			极限拉伸载荷 Ultimate tensile strength	每米长重 Weight per meter	
	P	d1 max	b1 min	d2 max	L max	Lc max	h2 max	T	C	Q min	q	
	mm	mm	mm	mm	mm	mm	mm	mm	mm	kN/ bf	kg/m	
CA2060-C6E	38.1	11.91	12.57	5.94	25.9	28.3	18.0	2.42	63.5	20.0 °	31.1/6996	1.40
CA2060H-C6E	38.1	11.91	12.57	5.94	31.0	31.6	18.0	3.25	63.5	22.5 °	31.1/6996	1.78
CA550V-C6EF1	41.4	16.80	19.05	8.28	36.1	39.1	22.0	3.00	50.5	15.0 °	55/12364	2.65



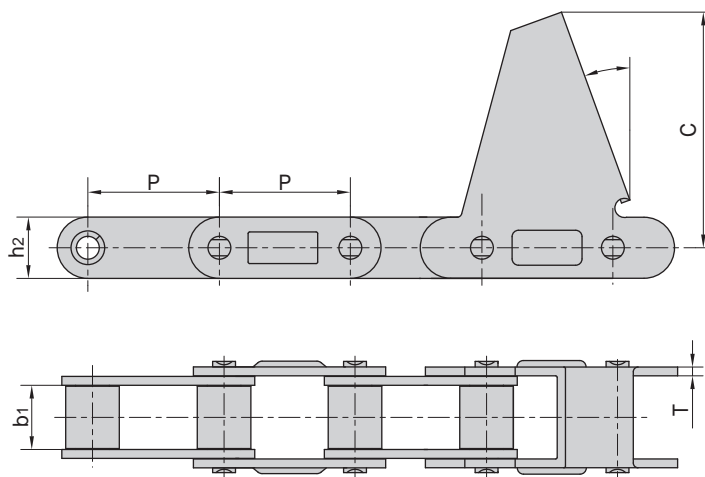
链号 Chain No.	P	b1	h2	T	C	
	mm	mm	mm	mm	mm	
CA550-C6E	41.40	19.81	19.30	2.80	55.6	20 °
CA550-C11E	41.40	19.81	19.30	2.80	63.5	15 °
CA550-C11EJ	41.40	19.81	19.30	2.80	66.0	17 °
CA550-C13E	41.40	19.81	19.30	2.80	92.0	15 °
CA550F4-C6E	41.40	20.24	19.05	2.80	55.6	22.5 °
CA550-C6EF1	41.40	19.81	19.30	2.80	50.0	15 °
CA620-C13E	42.01	24.51	20.20	3.25	92.0	15 °

## C型钢制农机链附件

### C type steel agricultural chain attachments



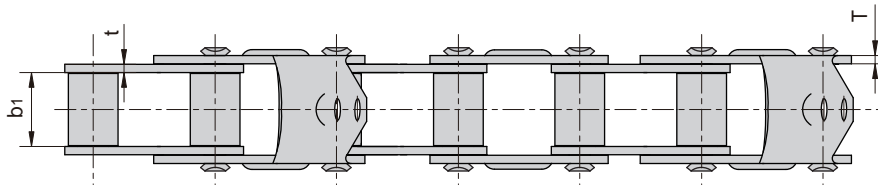
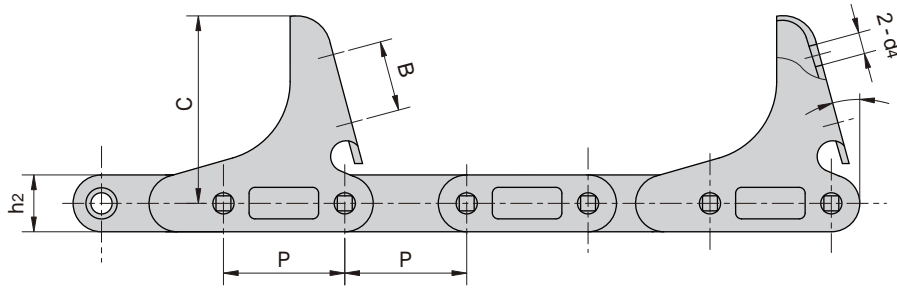
链号 Chain No.	P mm	b1 mm	h2 mm	T mm	C mm	
CA550-LV41N	41.4	19.81	19.3	2.8	65.8	15 °
CA550-LV41NF1	41.4	19.81	19.3	2.8	68.5	20 °
CA550-CPEF3	41.4	19.81	19.3	2.8	72.0	15 °



链号 Chain No.	P mm	b1 mm	h2 mm	T mm	C mm	
CA550-CPE	41.4	19.81	19.3	2.8	74.5	20 °

## C型钢制农机链附件

C type steel agricultural chain attachments



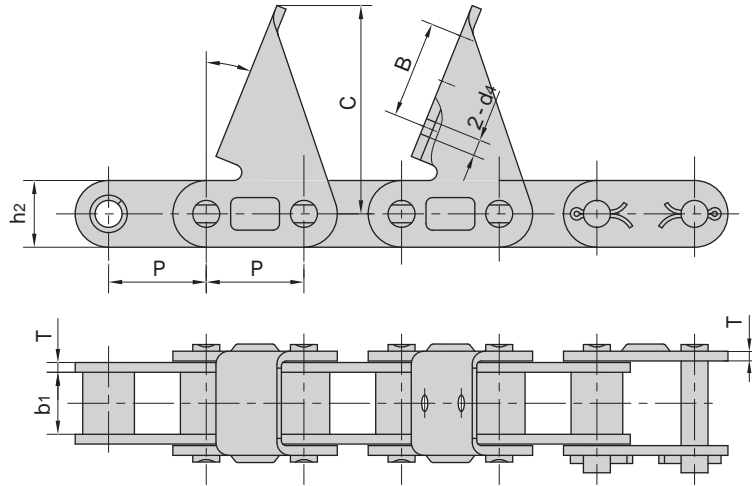
链号 Chain No.	P	b <sub>1</sub>	h <sub>2</sub>	t/T	C	B	d <sub>4</sub>	
	mm	mm	mm	mm	mm	mm	mm	
CA555-C6E	41.40	12.70	19.30	3.10	63.50	-	-	15 °
CA555-C6EJ	41.40	12.70	19.30	3.25	66.00	25.40	7.30	15 °
CA555-C6EJF1	41.40	12.70	19.30	3.10	66.00	25.40	5.50	15 °
CA555F3-C6EJ	41.40	12.70	19.30	3.15	66.00	25.40	7.30	15 °
CA620F3-C6EJ	42.01	24.51	20.20	3.25/3.10	66.00	24.00	6.00	15 °
CA620F5-C6EJ	40.25	24.51	20.20	3.25/3.10	66.00	24.00	6.00	15 °





## C型钢制农机链附件

### C type steel agricultural chain attachments

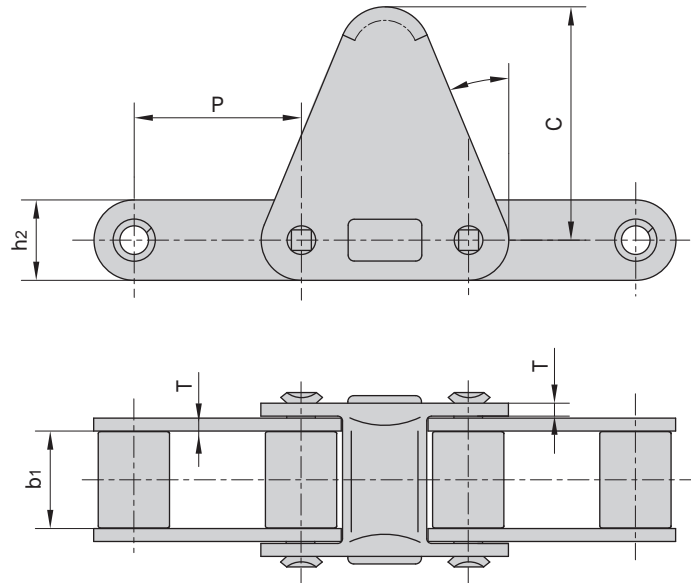


链号	P	b1	h2	B	d4	T	C	
Chain No.	mm	mm	mm	mm	mm	mm	mm	
CA627-CPE	30.0	19.05	20.5	-	-	3.0	64.0	22 °
CA627-CPEF3	30.0	19.05	20.5	30.0	5.0	3.0	64.0	22 °

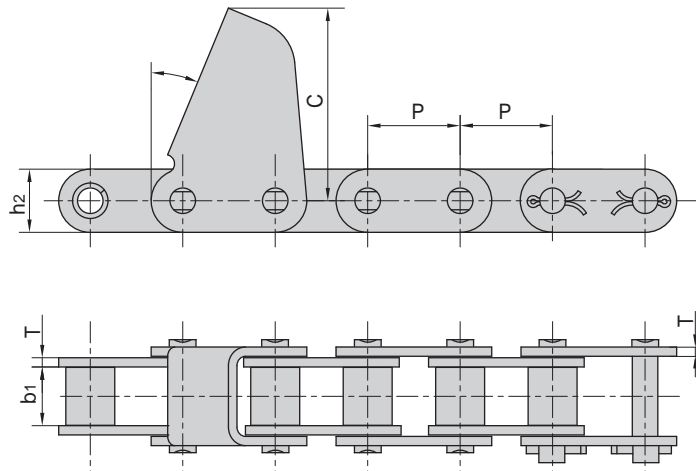


## C型钢制农机链附件

### C type steel agricultural chain attachments



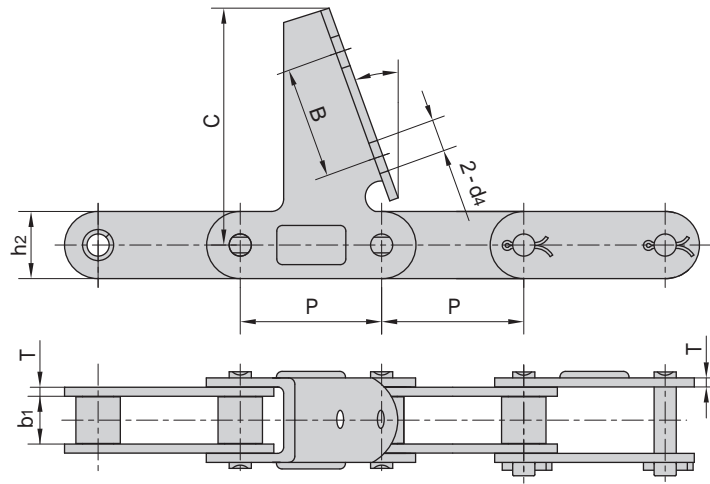
链号 Chain No.	P	b <sub>1</sub>	h <sub>2</sub>	T	C	
	mm	mm	mm	mm	mm	
CA620-C30E	42.01	24.51	20.2	3.25	58.7	22.5 °



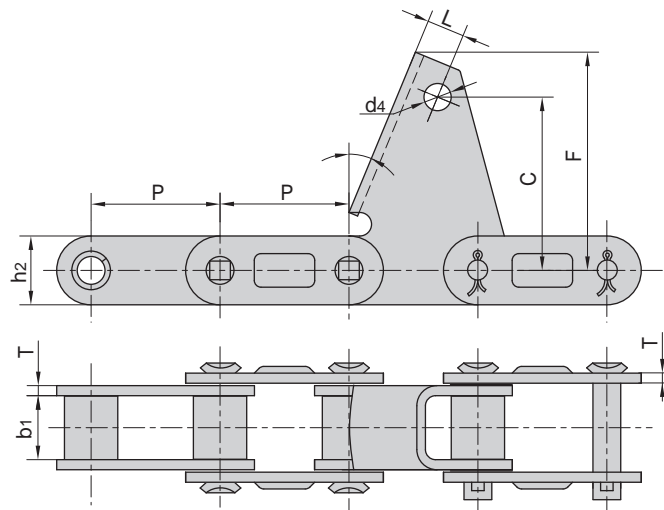
链号 Chain No.	P	b <sub>1</sub>	h <sub>2</sub>	T	C	
	mm	mm	mm	mm	mm	
CA627-CPEF1	30.0	19.05	20.5	3.0	62.5	22.5 °
CA627-CPEF2	30.0	19.60	20.5	3.0	62.5	22.5 °
CA627-CPEF9	30.0	19.05	20.5	3.0	62.5	22.0 °
CA550-CPEF2	41.4	19.81	19.3	2.8	63.5	15.0 °

# C型钢制农机链附件

## C type steel agricultural chain attachments



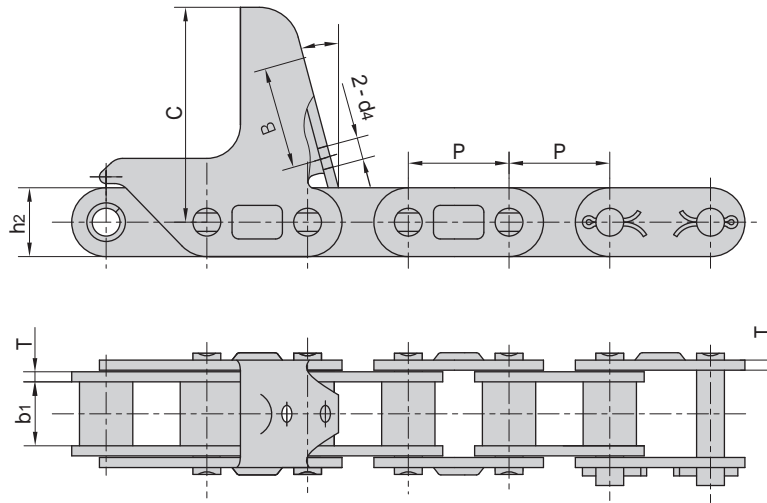
链号 Chain No.	P	b1	h2	d4	T	B	C	
	mm	mm	mm	mm	mm	mm	mm	
CA2060H-7AUE	38.1	12.57	18.0	8.50	3.25	30.0	57.2	22.5 °
CA550-CPEF1	41.4	19.81	19.3	-	2.80	-	63.5	15.0 °
CA414-CPEF1	41.4	15.88	20.1	-	3.00	-	66.0	20.0 °
CA2060H-CPEF2	38.1	12.57	18.0	-	3.25	-	57.0	22.0 °
CA2060H-CPEF3	38.1	12.57	18.0	6.75	3.25	25.4	57.0	22.0 °
CA627-CPEF5	30.0	19.05	20.5	6.30 × 6.30	3.00	30.0	62.5	22.5 °
CA627-CPEF13	30.0	19.05	20.5	6.60 × 6.60	3.00	30.0	63.5	22.5 °
CA627-CPEF16	30.0	19.60	20.5	6.50	3.00	30.0	62.5	22.5 °



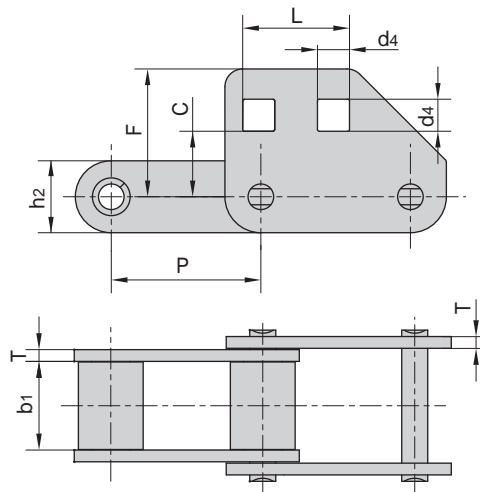
链号 Chain No.	P	b1	h2	L	d4	T	C	F	
	mm	mm	mm	mm	mm	mm	mm	mm	
38.4VBF4	38.4	19.05	20.5	15.0	8.1	3.0	48.0	64.0	22 °

# C型钢制农机链附件

## C type steel agricultural chain attachments



链号 Chain No.	P	b1	h2	B	d4	T	C	
	mm	mm	mm	mm	mm	mm	mm	
CA627-M40A	30.0	19.05	20.5	36.1	6.5	3.0	63.0	15.0 °
CA627-CPEF7	30.0	19.05	20.5	25.5	6.5	3.0	63.0	15.0 °
CA627-CPEF11	30.0	19.05	20.5	30.0	6.5	3.0	63.0	22.5 °
CA627-CPEF14	30.0	19.05	20.5	25.5	6.5	3.0	63.0	15.0 °
CA627-CPEF15	30.0	19.05	20.5	30.0	6.5	3.0	63.0	7.0 °

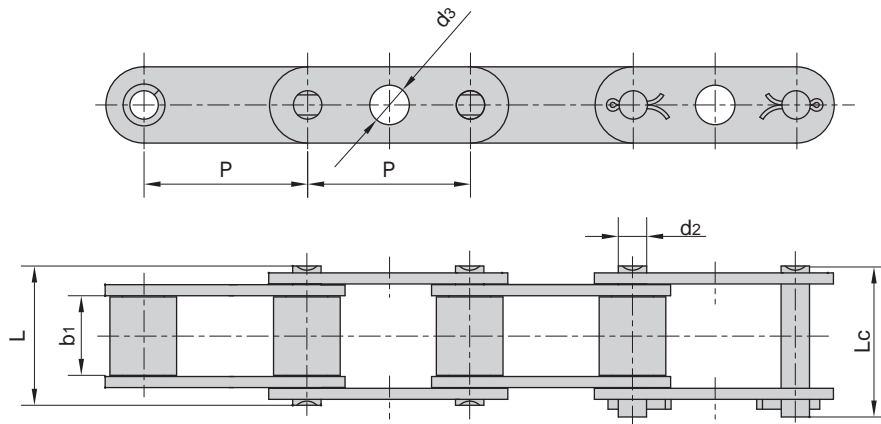


链号 Chain No.	P	b1	L	T	C	F	d4
	mm	mm	mm	mm	mm	mm	mm
CA620F2	42.01	24.51	30	3.25	18.4	35.9	9

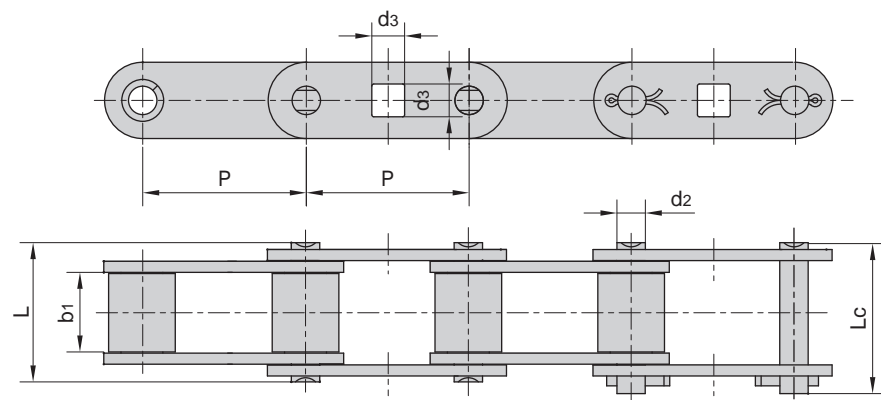


## C型钢制农机链附件

C type steel agricultural chain attachments



链号	P	b1	d2	d3	L	Lc
Chain No.	mm	mm	mm	mm	mm	mm
CA550GKF1	41.4	19.81	7.19	10	35	38
CA550GKF3	41.4	19.81	7.19	12	35	38

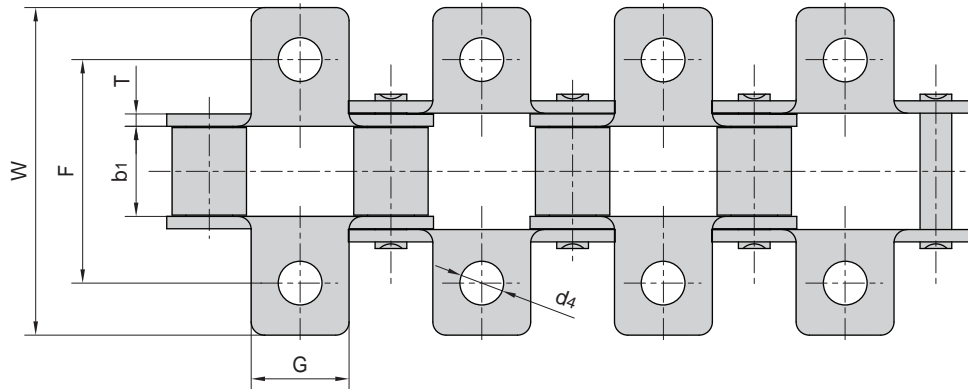
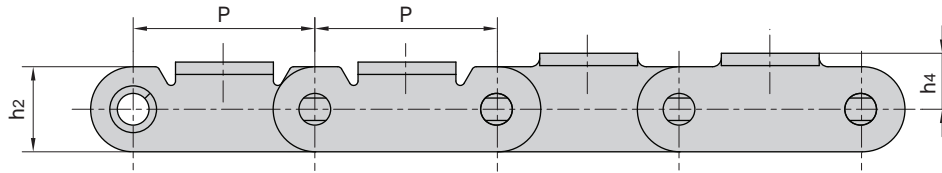


链号	P	b1	d2	d3	L	Lc
Chain No.	mm	mm	mm	mm	mm	mm
CA550GKF2	41.4	19.81	7.19	8.3	35	38



## C型钢制农机链附件

C type steel agricultural chain attachments

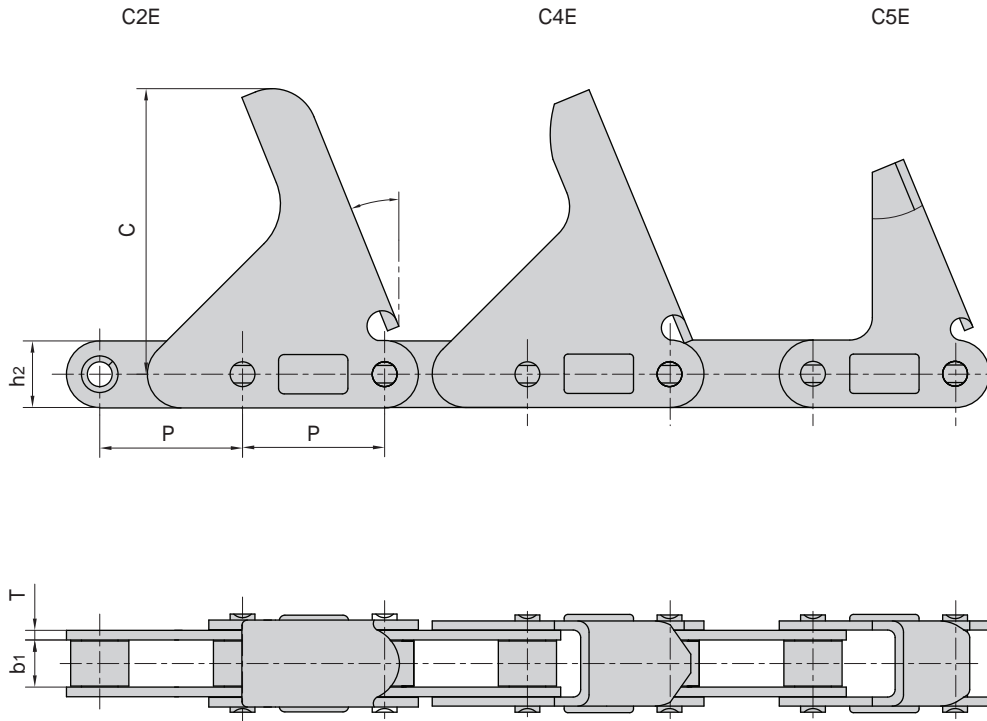


链号 Chain No.	P	b <sub>1</sub>	G	F	W	h <sub>2</sub>	h <sub>4</sub>	T	d <sub>4</sub>
	mm	mm	mm	mm	mm	mm	mm	mm	mm
CA550K11	41.40	19.81	22.2	50.8	75.4	19.3	10.7	2.80	9.92
CA550K1F8	41.40	19.81	22.2	50.8	75.4	19.3	10.7	2.80	6.75
CA550K17	41.40	19.81	22.2	54.0	76.2	19.3	12.7	2.80	6.75
CA550K20	41.40	19.81	22.2	50.8	76.2	19.3	12.7	2.80	6.75
CA550K22	41.40	19.81	22.2	54.0	76.2	19.3	12.7	2.80	9.53
CA620K1F2	42.01	24.51	22.2	62.7	80.2	20.2	11.5	3.25	6.75
CA620KIS	42.01	24.51	22.2	62.7	80.2	20.2	11.5	3.25	8.33
CA557K1F3	41.40	20.24	38.1	75.5	107.4	23.1	15.9	3.10	10.30



## C型钢制农机链附件

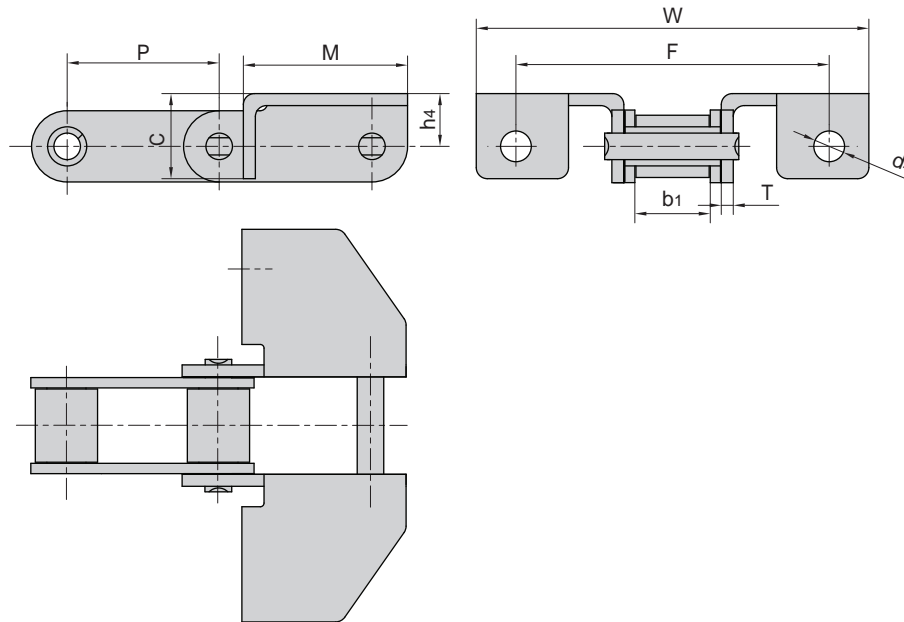
C type steel agricultural chain attachments



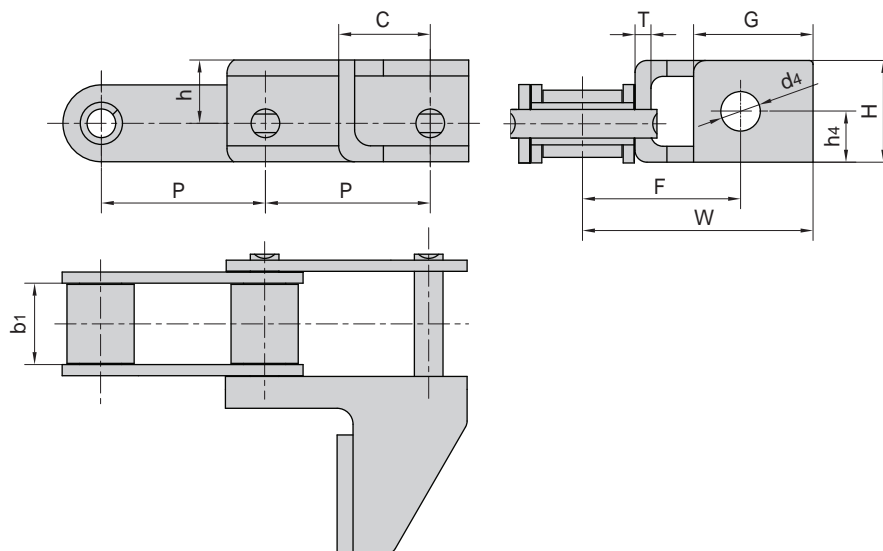
链号	P	b <sub>1</sub>	h <sub>2</sub>	T	C	
Chain No.	mm	mm	mm	mm	mm	
CA2060H - C2E	38.1	12.57	18.0	3.25	76.2	22.5 °
CA2060H - C4E	38.1	12.57	18.0	3.25	75.8	22.5 °
CA2060H - C5E	38.1	12.57	18.0	3.25	57.2	22.5 °

## C型钢制农机链附件

### C type steel agricultural chain attachments



链号 Chain No.	P mm	b <sub>1</sub> mm	M mm	C mm	F mm	W mm	T mm	h <sub>4</sub> mm	d <sub>4</sub> mm
CA550-F7A	41.4	19.81	44.5	23.3	84.9	106.4	3.25	14.3	8.33
CA550G57	41.4	19.81	44.5	23.3	-	106.4	3.25	14.3	-



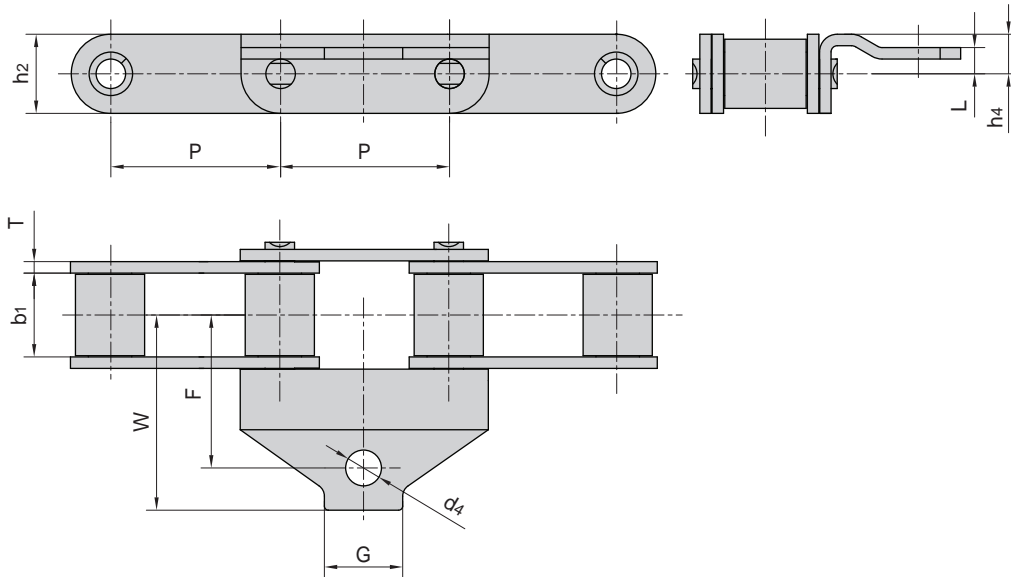
链号 Chain No.	P mm	b <sub>1</sub> mm	C mm	h mm	H mm	G mm	h <sub>4</sub> mm	F mm	W mm	T mm	d <sub>4</sub> mm
CA550-G50	41.4	19.81	23.0	17.5	27.2	30.0	12.9	39.7	57.9	4.0	9.92
		19.81	23.0	15.9	25.6	30.0	12.9	39.7	57.9	4.0	9.92



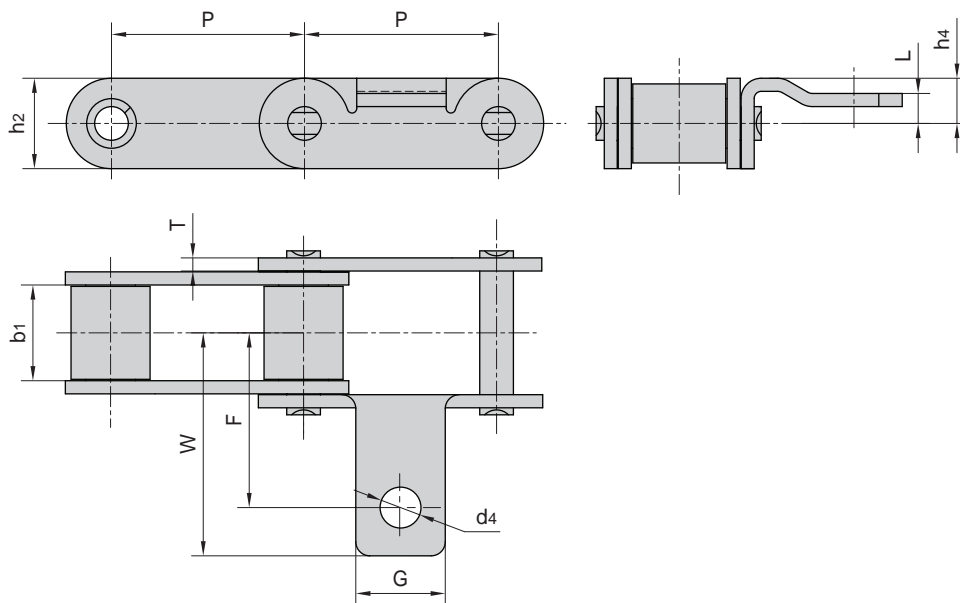


# C型钢制农机链附件

## C type steel agricultural chain attachments



链号 Chain No.	P	b <sub>1</sub>	G	F	W	h <sub>2</sub>	L	h <sub>4</sub>	T	d <sub>4</sub>
	mm	mm	mm	mm	mm	mm	mm	mm	mm	mm
CA550AH	41.4	19.81	19.1	37.3	47.6	19.3	6.4	9.65	2.8	8.73

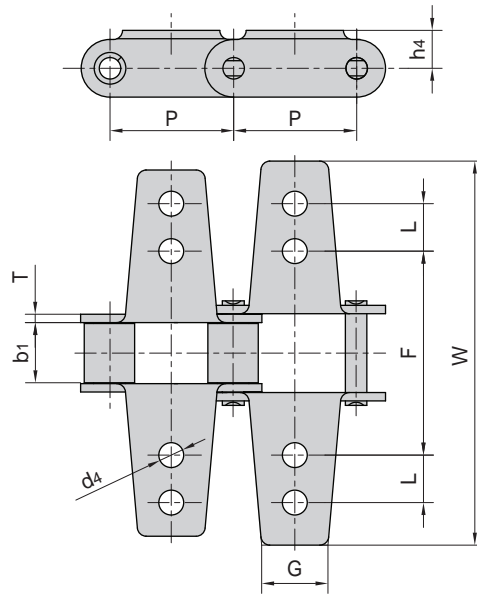


链号 Chain No.	P	b <sub>1</sub>	G	F	W	h <sub>2</sub>	L	h <sub>4</sub>	T	d <sub>4</sub>
	mm	mm	mm	mm	mm	mm	mm	mm	mm	mm
	41.4	19.81	19.1	37.3	47.6	19.3	6.4	9.65	2.8	8.73

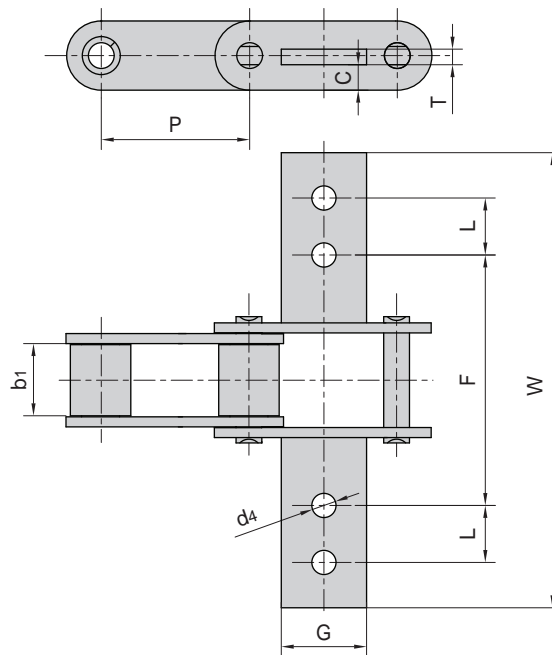


## C型钢制农机链附件

### C type steel agricultural chain attachments



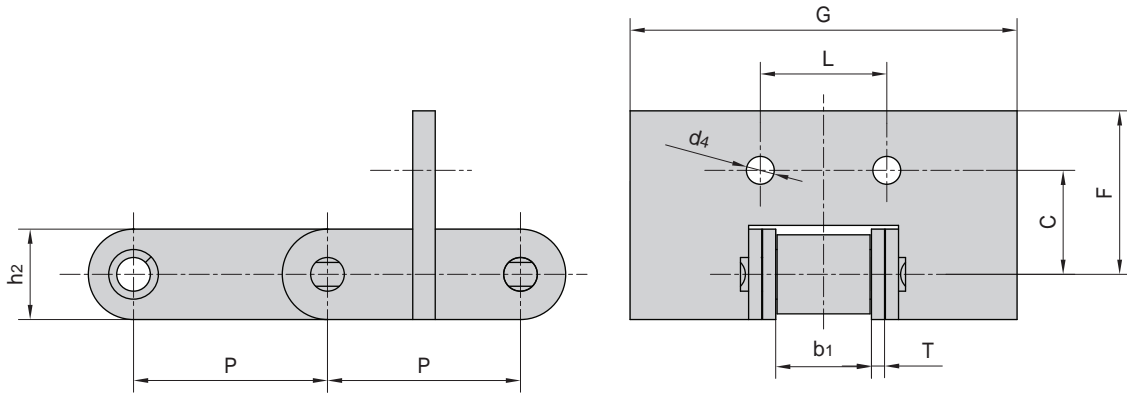
链号 Chain No.	P	b1	L	G	F	W	h4	T	d4
	mm	mm	mm	mm	mm	mm	mm	mm	mm
CA550K6	41.40	19.81	15.9	22.2	68.3	128.6	12.7	2.80	8.33
CA620K12	42.01	24.51	15.9	22.2	69.9	130.2	23.8	3.25	6.75



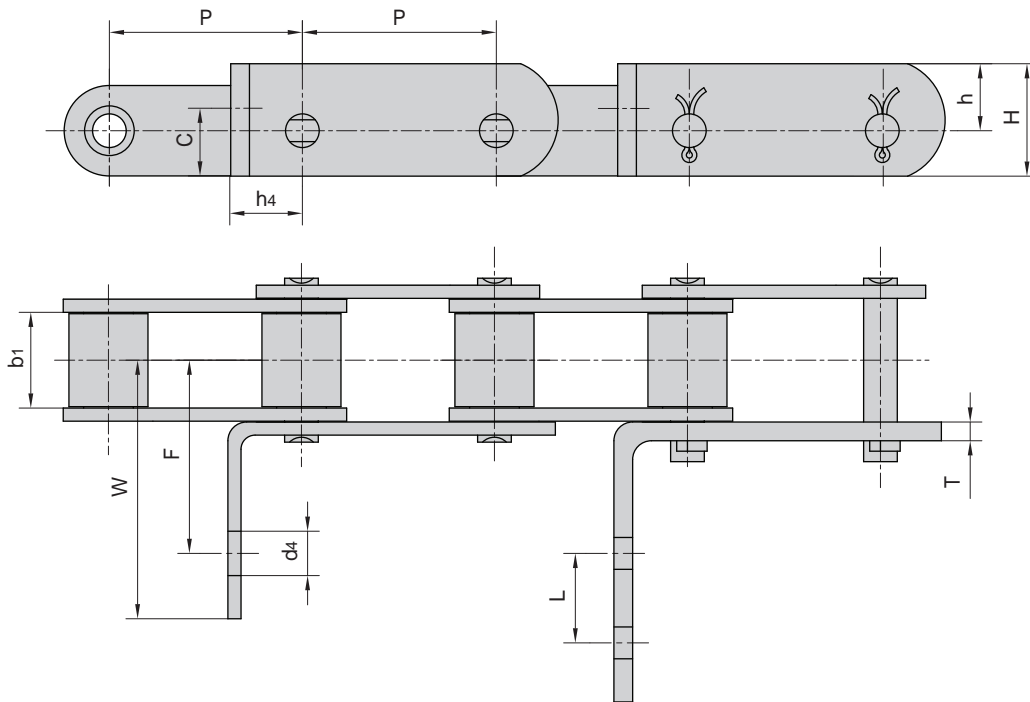
链号 Chain No.	P	b1	G	L	F	W	T	C	d4
	mm	mm	mm	mm	mm	mm	mm	mm	mm
CA550K8	41.40	19.81	23.8	15.9	69.9	127.0	4.3	7.1	6.75
CA550K9	41.40	19.81	23.8	15.9	69.9	127.0	4.3	7.9	6.75

## C型钢制农机链附件

### C type steel agricultural chain attachments



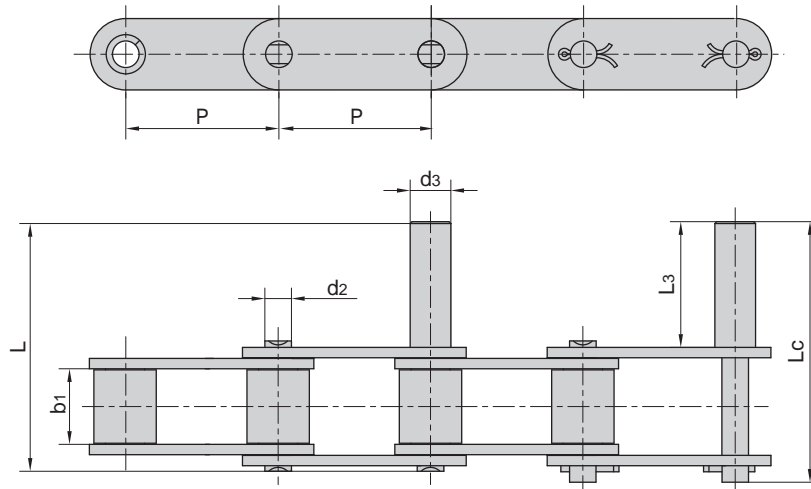
链号 Chain No.	P mm	b <sub>1</sub> mm	C mm	F mm	L mm	G mm	h <sub>2</sub> mm	T mm	d <sub>4</sub> mm
CA550F11	41.4	19.81	22.2	34.9	27.0	82.6	19.3	2.8	5.95



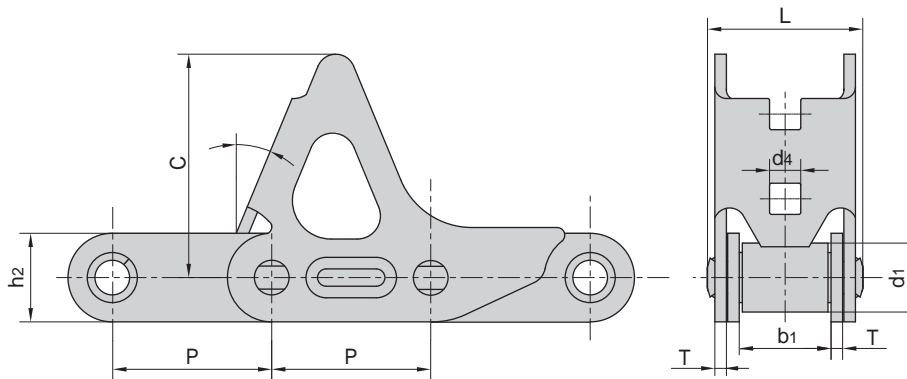
链号 Chain No.	P mm	b <sub>1</sub> mm	C mm	h mm	H mm	h <sub>4</sub> mm	F mm	L mm	W mm	T mm	d <sub>4</sub> mm
CA550-GX	41.4	19.81	14.5	14.3	24.0	15.5	41.7	19.1	73.4	4.00	6.75
CA550-G27	41.4	19.81	14.5	14.3	24.0	15.9	41.7	-	55.2	2.80	8.33
CA550-G27S	41.4	19.81	14.5	14.3	24.0	15.9	41.7	-	55.2	3.25	8.33

## C型钢制农机链附件

### C type steel agricultural chain attachments



链号 Chain No.	P	b1	d2	d3	L3	L	Lc
	mm	mm	mm	mm	mm	mm	mm
CA550-D1	41.40	19.81	7.19	12.7	50.80	84.5	87.5
CA550-D2	41.40	19.81	7.19	7.19	31.75	65.4	68.4
CA550-D4	41.40	19.81	7.19	11.0	34.00	67.7	70.7
S62F6	41.19	25.40	9.00	12.7	40.00	84.8	87.8
S62F4	41.19	26.00	8.00	12.7	40.00	80.8	83.8
CA620-D1F1	42.01	24.51	7.19	12.0	44.45	84.8	88.2



链号 Chain No.	节距 Pitch	滚子直径 Roller diameter	内节内宽 Width between inner plates	销轴长度 Pin length	链板尺寸 Plate dimension					极限拉伸载荷 Ultimate tensile strength	每米长重 Weight per meter
	P	d1 max	b1 min	L max	h2 max	T	C	d4		Q min	q
	mm	mm	mm	mm	mm	mm	mm	mm		kN/ bf	kg/m
55VDF1-CPEF	41.4	17.9	22.5	39.7	23.0	3.0	58	8.1	22.5 °	50/11248	3.68